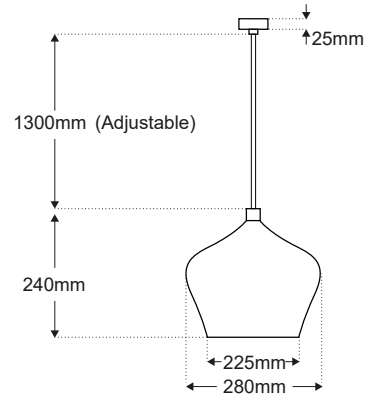


**VENUS** - Designer Copper Pendant Light

Description

This elegant designer pendant finished in brushed copper is suitable for any upscale interiors or elegant areas, lobbies and atriums. Suggested light source is a stylish E27 LED filament light lamp that produces an attractive glow consuming only 6 watts, with a CRI>80 to ensure light quality.

Dimensions



Alternate Finish

Specifications



BLACK

Voltage	Max 240V
IP Rating	IP20
Finish	Brushed Copper, Black Exterior
Lamp	E27 Lamp TDLEDFIL6W (Supplied Separately - Dimmable)