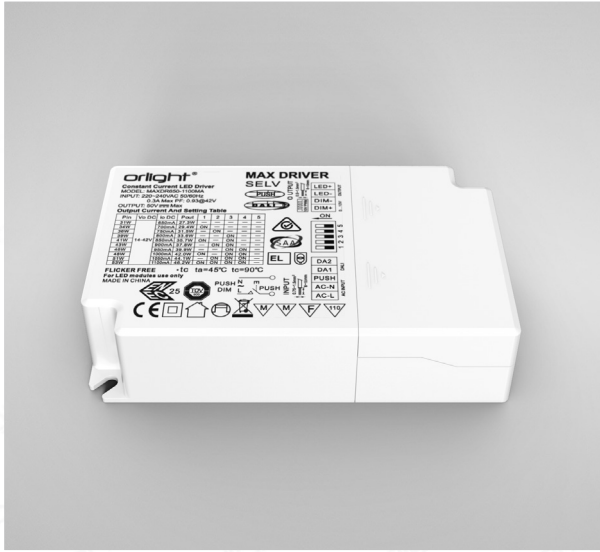


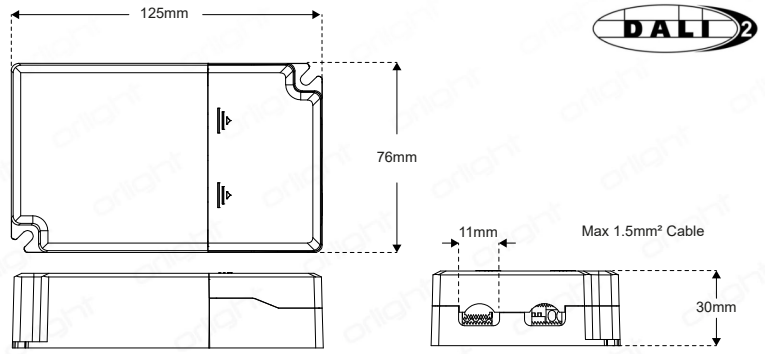
MAXDR650-1100MA - LED Driver

Description

MAXDR650 is a constant current LED driver. Featuring DALI-2, Push-DIM and 0-10V. Input: 220-240VAC ~ 50-60Hz. Output: 650-1100mA, 50V Max.



Dimensions

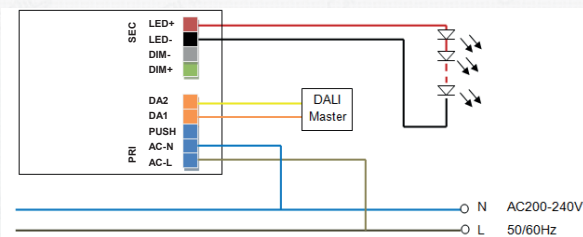


Specification

Dimming Options	DALI; Push-DIM; 0-10V										
Type	Constant Current										
Voltage Range	14-42V										
Input Voltage	220-240VAC										
Input Frequency	50-60Hz										
In-rush Current	40A @ 350µs										
Output Voltage	50V Max.										
Output Current	650mA	700mA	750mA	800mA	850mA	900mA	950mA	1000mA	1050mA	1100mA	
Output Power	27.3W	29.4W	31.5W	33.6W	35.7W	37.8W	39.9W	42W	44.1W	46.2W	
Lifetime	>50,000 hours										
IP Rated	IP20										
Ta	-20°C ~ +45°C										
Tc	90°C										
THD	<7%										
DALI Standard	IEC 62386-101: 2014, IEC 62386-102: 2014, IEC 62386-207: 2009, DALI-2										
Glow Wire Test	850°C for 5S; 650°C for 30S										

Circuit Diagram: DALI

Instructions

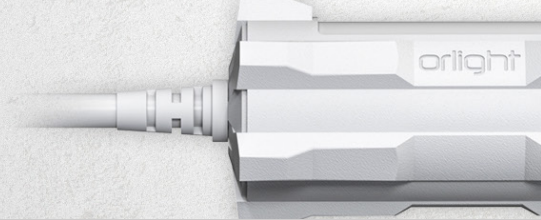


Compatible with both DALI-2 application controllers or DALI-1 master.

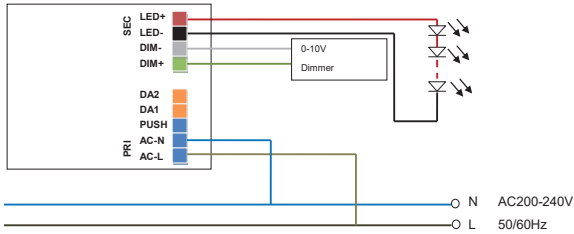
DALI signal to the DA1 and DA2 terminals are polarity-free.

Addressing:

- Max 64 IP addresses.
- Max. 16 Groups
- Dimming Range 1-100%



Circuit Diagram: 0-10V

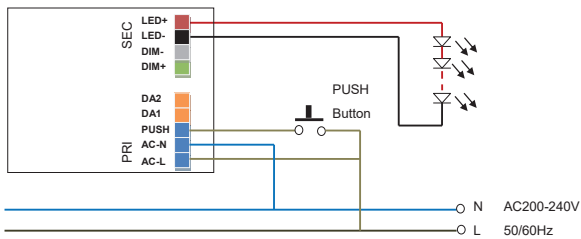


Compatible with both passive and active 0-10V dimmers.

Connect the 0-10V Master as per wire schematic, then you can dim using a 0-10V dimmer.

The maximum permissible length of the control line is 100M.

Circuit Diagram: Push-DIM

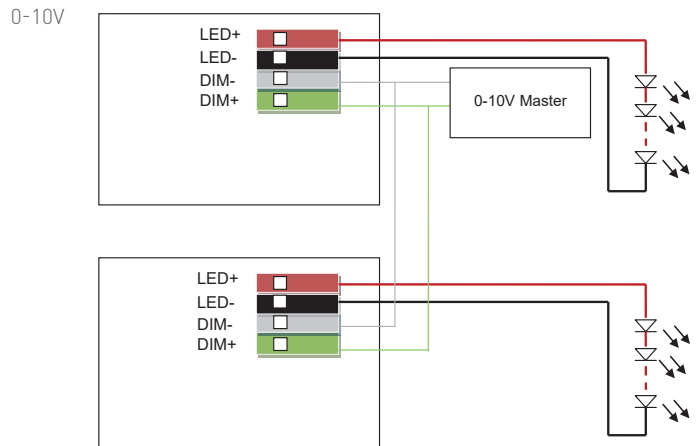
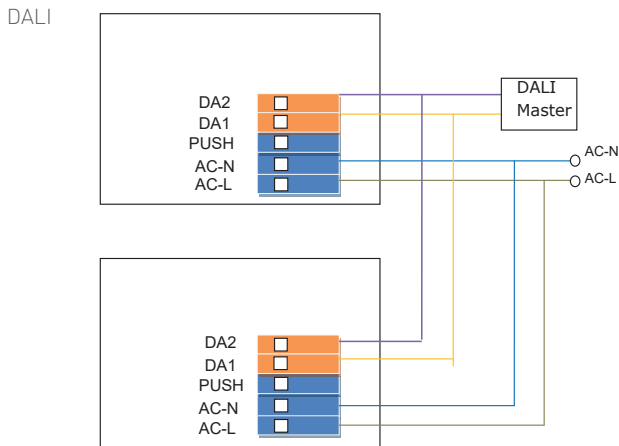


Do not use more than 20 MAXDR250 in a single push-DIM application.

B) The cable length between the push-button and the farthest MAXDR250 may not be longer than 105M. Compensation measures must be applied for line lengths required to be more than 25M long.

Operation	Action Duration	Action
Briefly Press	0.04-0.5 sec	Light ON/OFF
Press & hold at ON status	0.50-5.0 sec	Brightness Dimming down to 2%, or up to 100%
Press & hold at OFF status	0.50-5.0 sec	Brightness Dimming from 2%, up to 100%

Parallel Wiring



Product Coding: Example: MAXDR650-1100MA

CODE

MAXDR650-1100MA